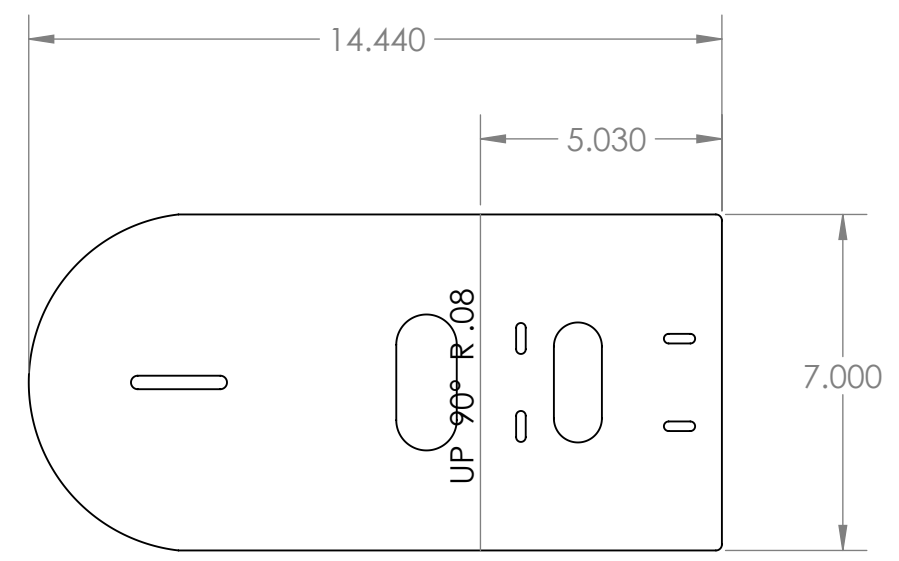
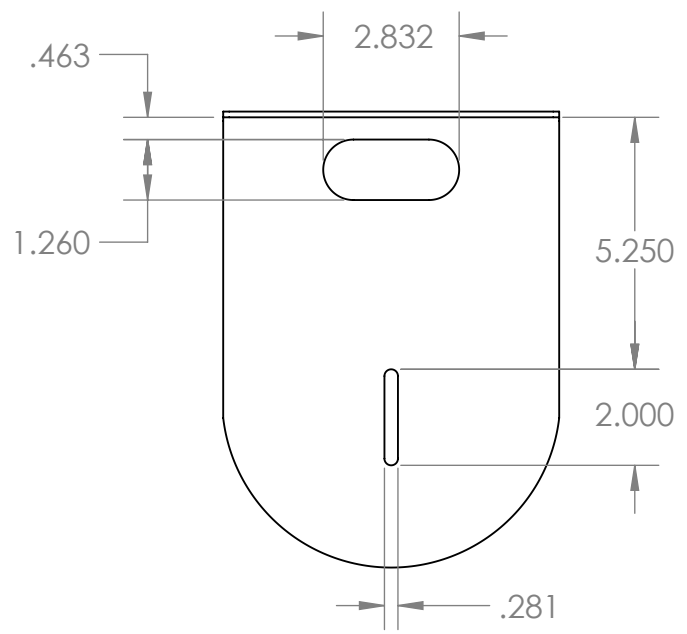


4

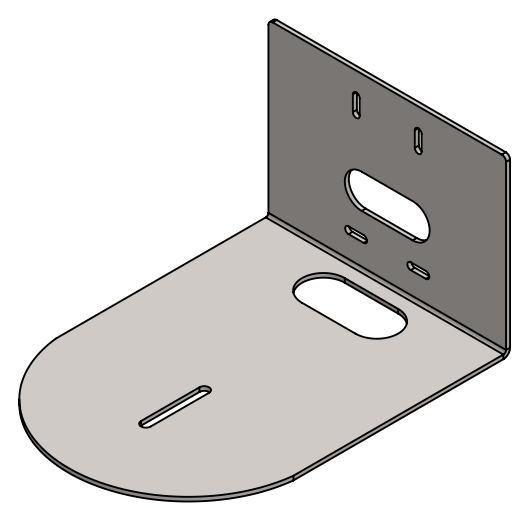
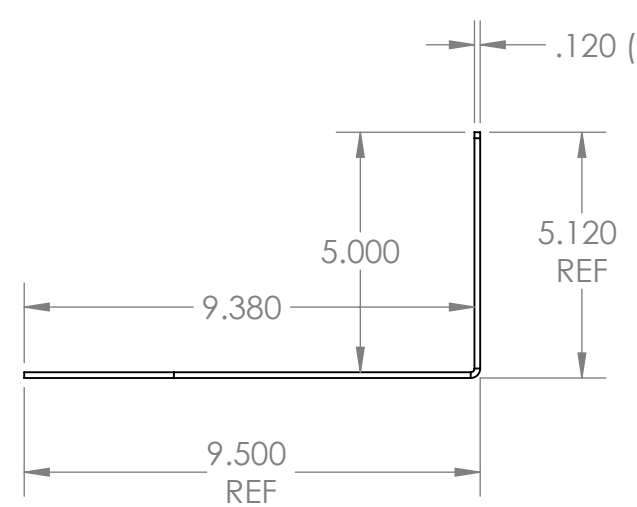
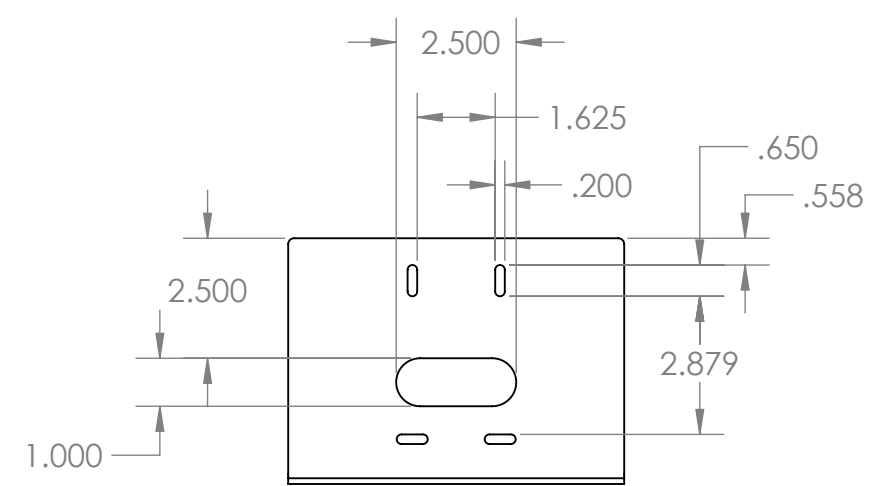
3

2

1



FLAT PATTERN



- NO BURRS ALLOWED
 - MUST BE SCRATCH-FREE
 - DRAWING MAY NOT BE FULLY

PT-WH-3-WH: POWDER COAT: TIGER 049/13150 (WHITE FINE TEXTURE)
 PT-WH-3-BK: POWDER COAT: TIGER 039/80200 (BLACK FINE TEXTURE)

Tolerance		PTZOptics					
Fractional	± 1/32						
Angle	± 0.5°	Project		Model	PT-WM-3		
2 Place Decimal	± 0.015"	Description	Extra Large Wall Mount	Date	2023.08.31		
3 Place Decimal	± 0.005"			Scale	1:4		
Fillets	.005" Max			Units	inch		

4

3

2

1

B

B

A

A